



### Hangcha Europe GmbH

Mariechen-Graulich-Straße 12a,  
65439 Flörsheim am Main,  
Germany

Tel: 0049-61453769188  
E-mail: admin@hangchaeurope.com

Mob: 0049-16096548808 (Thomas Dittrich)  
E-mail: thomas.dittrich@hangchaeurope.com  
Zip Code Area (1,2,3,4,5,6,7)

Mob: 0049-1605272481 (Jens Abmuth)  
E-mail: jens.assmuth@hangchaeurope.com  
Zip Code Area (0,8,9)

www.hangchaeurope.com



Follow us on  
Instagram



Follow us on  
Facebook



Follow us on  
YouTube



Download "Hangcha  
Forklift" App



ISO14001:2015



ISO9001:2015



HANGCHA trucks conform  
to the European Safety  
Requirements.

2022 VERSION 1/COPYRIGHT 2022/06

HANGCHA GROUP CO., LTD. reserves the right to make any changes without notice concerning colors, equipment, or specifications detailed in this brochure, or to discontinue individual models. The colors of trucks, delivered may differ slightly from those in brochures.

## Four-Wheel Drive Rough Terrain Forklift

with capacities of 2,500 to 3,500kg



The World of Hangcha  
SINCE 1956



## CONCEPT

The multipurpose concept refers to the capability of the forklift truck to work in many different areas, with a great performance no matter how hard the conditions are.

We studied all the specifications of the best forklifts in the world, specialized in industrial and rough terrain types, determining the characteristics that makes a forklift work well in an industrial environment. After that, we combined such information, to prepare the basis of the design of our product.

## INTRODUCTION

Hangcha 2.5~3.5t 4W rough terrain forklifts is a tough, compact forklift with a four-wheel drive system. It is based on two-wheel drive rough terrain forklift. It is world renowned for superior performance, economy and longevity.



# 6 reasons

choose

Four-Wheel Drive

Rough Terrain Forklift

- ▶ **RELIABILITY**
- ▶ **PRODUCTIVITY**
- ▶ **ENVIRONMENTAL FRIENDLINESS**
- ▶ **COMFORTABLE OPERATION**
- ▶ **EASY MAINTENANCE**
- ▶ **HIGH PERFORMANCE**



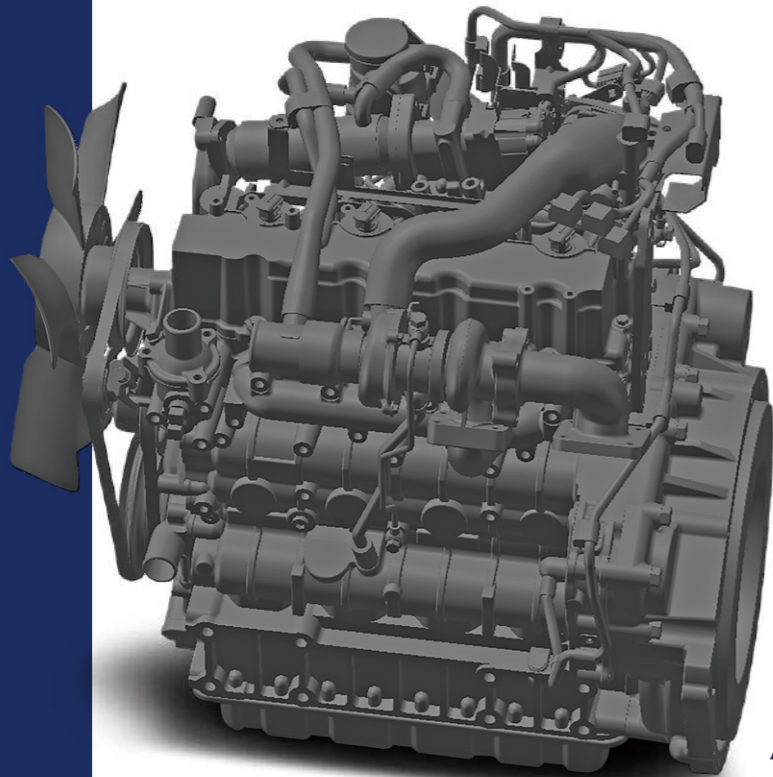
# HANGCHA be with you at every stage

Efficient, reliable solutions for your demands

## STAGE V & TIER 4F

With Hangcha you can meet all Stage V/Tier 4f emissions standards which provides customer demands for value, innovation and performance. The technologies include common rail fuel systems, diesel oxidation catalysts (DOC) and diesel particulate filters (DPF). Designed and optimised to every engine model, our forklift truck maximises efficiency and reliability.

**Powerful/  
Efficient/  
Reliable**



**KUBOTA**



Interactive instrument: The instrument adopts 4.0-inch color LCD display with four interactive buttons, and has one CAN bus communication function. The communication protocol is compatible with SAE J1939 standards.



### HANGCHA Forklift with StageV and T4F

No.	Capacity	Series	Manufacturer	Engine	Drive power	Model	Emission Std.	Transmission	Power (kw/rpm)
1	2.5-3.5t	RT	KUBOTA	V2607-CR-TE5B	Diesel	CPCD25/30/35-XW98C-RT4	StageV / Tier4 final	CHINA	47.3/2400

Note: RT means 2WD/4WD Rough Terrain forklift

## RELIABILITY

The full-floating hydraulic transmission gearbox, with 2WD and 4WD switch function, can provide higher running speed and stronger gradeability;



### Wide-base deep tread tyres

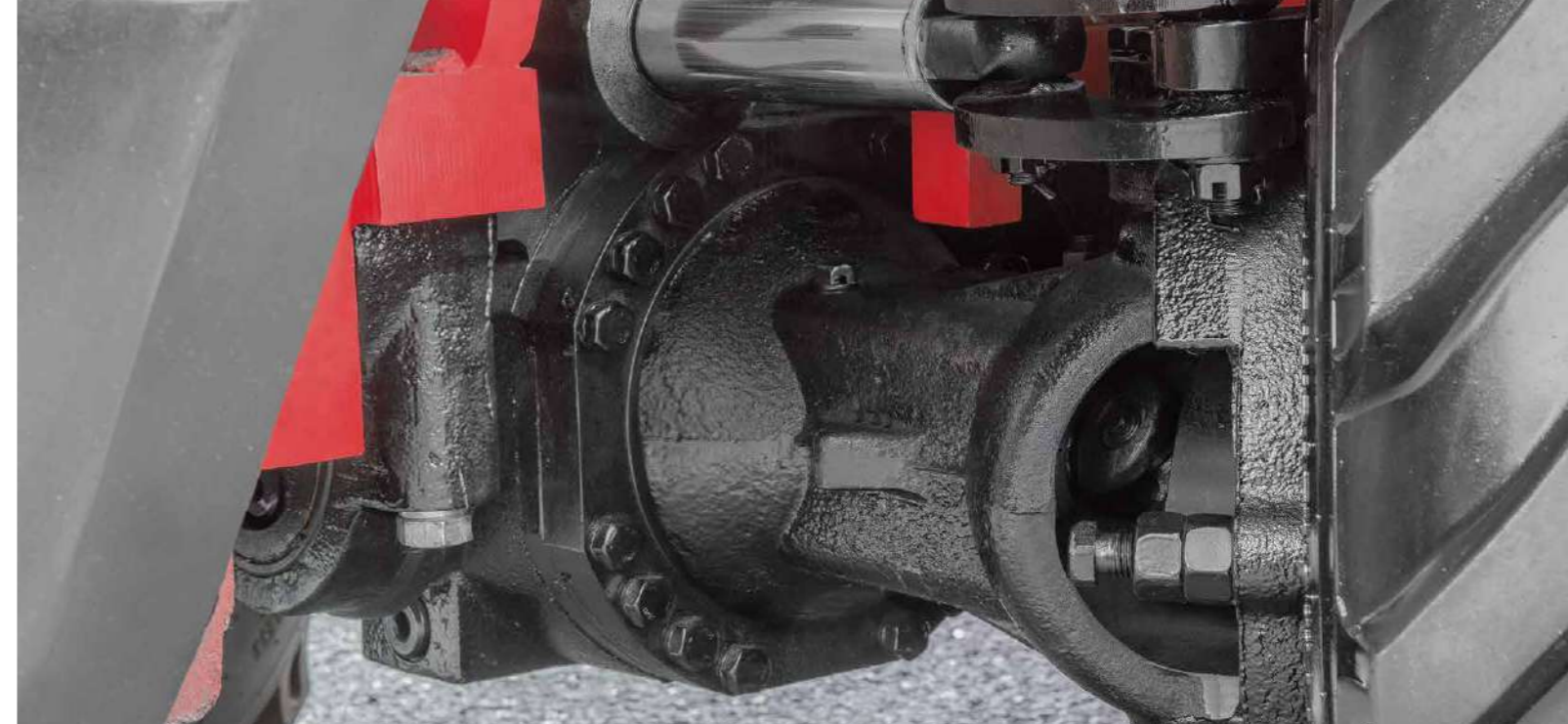
The drive axle is equipped with wide-base deep tread tyres, wet brake, differential mechanism with electronic lock, as well as reinforced steering drive axle, and can better adapt to special working conditions.

Front tyre:14-17.5

Rear tyre:10.0/75-15.3



Higher specification fork mounting level-3B, more weight can be loaded.



*Oscillating steer axle allows either wheel to step over obstacles keeping the truck and load level.*

Dual air filter, extra capacity combined radiator with serpentine wave and optimized heat dissipation channel enhance the heat dissipation capability to keep engine reliability even in heavy-duty applications.



The differential is specifically designed for rough terrain and features manual differential lock providing ultimate traction during inclement weather conditions and rough operating surfaces, it differential lock prevents power loose when one wheel spins.



## PRODUCTIVITY



The new Dynamic load sensing hydraulic steering system contributes to reduce loss of hydraulic and improve energy efficiency.



The new efficiency lighting system employs LED illuminant and new type reflector to reduce energy consumption, improve significantly illumination performance and prolong work time.



## COMFORTABLE OPERATION

*In developing the rough terrain forklift, comfort and easy operation is always considered, for example, improved vibrating levels, compound engine damper and full floating seat and cabin are all applied.*

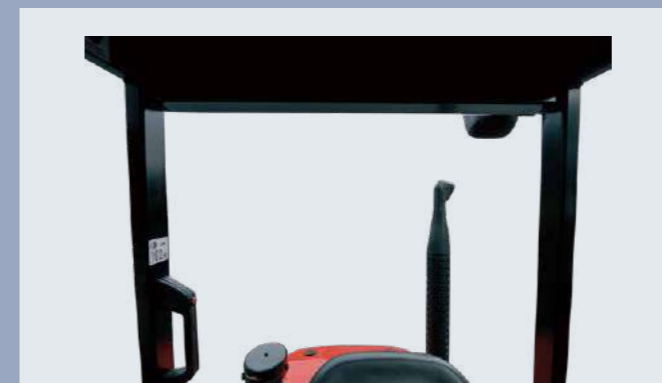
*Comfortable also contribute to increased productivity and reduced the noise.*



1. In addition to rubber damper between overhead and frames, compound engine damper and full floating power train achieve flexible connection between frames and driving system, as a result, traveling vibrations and vibrations from the driving system are significantly reduced.



2. The extra foot space is provided to reduce operator fatigue significantly, non-slip step makes getting in and out easy and safe. The new designed steering wheel, new brake system and the easy-to-operate levers provide total handling operation.



3. Optimized designing structure to offer a good visibility.



4. The new design mast provides broad forward visibility due to the longer distance between inside mast.



## EASY MAINTENANCE



Newly-developed LCD instrument has more comprehensive functions and more stable performance and entirely displays the full truck state, fault code and other important information, which can make the operator more intuitively and conveniently have a better knowledge of truck state and make the maintenance conveniently.



Adoption of new generation integrated electric box makes maintenance and repair convenient, layout becomes more reasonable and with better water-proof performance.



The easy-to-open hook provides quick access to the engine compartment.



Wet brake shoes maximum service life for your brake system.

- / The cover on the Panel can be lifted up simply to check the brake fluid.
- / The two-piece design makes the floorboard easy to lift and remove for access to the power train.
- / The fasteners of the radiator cover can be turned easily by hand to enable quick inspections or servicing.



# FOUR-WHEEL DRIVE ROUGH TERRAIN FORKLIFT



## HIGH PERFORMANCE



### Maneuverability

The distance to ground is 270mm for 3.0t, it offers greater maneuverability and keep the truck moving in the roughest of applications, and yet we keep a very low center of gravity, by using a distributed weight in the forklift, giving it an excellent stability.



### Three forward gears

Suspension hydraulic transmission with three forward gears, top speed reach 26km/h.

## Standard specification

- / Suspension transmission
- / Differential lock
- / 2-wheel drive、4-wheel drive system
- / Suspension seat
- / Return oil filter
- / Big capacity aluminum radiator
- / Air filter
- / Rear working light
- / Warning lamp
- / Cover for tilt cylinder
- / Reversing assist grip
- / Wider fork carriage
- / Wider load backrest
- / LED light

## Options

- / Cabin
- / Heater
- / Front window
- / L/R mirror
- / Extinguisher
- / Customer painting
- / OPS system
- / Sparkle arrester
- / Purified exhaust system
- / Auxiliary hydraulic valve
- / Front working light
- / Triplex wide view free-lift mast
- / Special forks
- / Weigher system
- / Attachments
- / Net cover of radiator

# FOUR-WHEEL DRIVE ROUGH TERRAIN FORKLIFT SPECIFICATION:

		HANGCHA GROUP CO.,LTD.															
Distinguishing mark	1.1	Manufacturer															
	1.2	Manufacturer's type designation															
	1.3	Drive: electric (battery or mains), diesel, petrol, fuel gas	Diesel			Diesel			Diesel			Diesel			Diesel		
	1.4	Operator type: hand, pedestrian, standing, seated, order-picker	Seated			Seated			Seated			Seated			Seated		
	1.5	Rated capacity/ rated load	Q (kg)	2500	3000	3500	2500	3000	2500	3000	3500	2500	3000	3500			
	1.6	Load centre distance	c (mm)	500	500	500	500	500	500	500	500	500	500	500			
	1.8	Load distance, centre of drive axle to fork	x (mm)	585	600	600	585	600	585	600	600	585	600	600			
	1.9	Wheelbase	y (mm)	1880	1880	1880	1880	1880	1880	1880	1880	1880	1880	1880			
	2.1	Service Weight	kg	4850	5340	5600	4850	5340	4850	5340	5600	4850	5340	5600			
Weight	2.2	Axle loading, laden front/rear	kg	6190/1160	7200/1140	7900/1200	6190/1160	7200/1140	7900/1200	6190/1160	7200/1140	7900/1200	6190/1160	7200/1140			
	2.3	Axle loading, unladen front/rear	kg	2130/2720	2340/3000	2300/3300	2130/2720	2340/3000	2300/3300	2130/2720	2340/3000	2300/3300	2130/2720	2340/3000			
	3.1	Tyres: solid rubber, superelastic, pneumatic, polyurethane		Pneumatic			Pneumatic			Pneumatic			Pneumatic				
Tyres, chassis	3.2	Tyre size, front		12-16.5-14PR			14-17.5-14PR			14-17.5-14PR			12-16.5-14PR				
	3.3	Tyre size, rear		10.0/75-15.3-14PR			10.0/75-15.3-14PR			10.0/75-15.3-14PR			10.0/75-15.3-14PR				
	3.5	Wheels, number front / rear (x = driven wheels)		2x/2x		2x/2x		2x/2x		2x/2x		2x/2x		2x/2x			
	3.6	Tread, front	b10 (mm)	1250	1250	1250	1250	1250	1250	1250	1250	1250	1250	1250			
	3.7	Tread, rear	b11 (mm)	1190	1190	1190	1190	1190	1190	1190	1190	1190	1190	1190			
	4.1	Tilt of mast/fork carriage forward/backward	α/β(°)	10/12	10/12	10/12	10/12	10/12	10/12	10/12	10/12	10/12	10/12	10/12			
	4.2	Height, mast lowered	h1 (mm)	2215	2350	2350	2215	2350	2350	2215	2350	2350	2215	2350			
Dimensions	4.3	Free lift	h2 (mm)	140	145	145	140	145	145	140	145	145	140	145			
	4.4	Lift	h3 (mm)	3000	3000	3000	3000	3000	3000	3000	3000	3000	3000	3000			
	4.5	Height, mast extended	h4 (mm)	4122	4142	4142	4122	4142	4142	4122	4142	4142	4122	4142			
	4.7	Height of overhead guard (cabin)	h6 (mm)	2390	2420	2420	2390	2420	2420	2390	2420	2420	2390	2420			
	4.19	Overall length	l1 (mm)	4305	4320	4320	4305	4320	4320	4305	4320	4320	4305	4320			
	4.20	Length to face of forks	l2 (mm)	3085	3100	3100	3085	3100	3100	3085	3100	3100	3085	3100			
	4.21	Overall width	b1 (mm)	1557	1599	1599	1557	1599	1599	1557	1599	1599	1557	1599			
	4.22	Fork dimensions ISO 2331	s/e/l (mm)	40×122×1220	50×122×1220	50×122×1220	40×122×1220	50×122×1220	50×122×1220	40×122×1220	50×122×1220	50×122×1220	40×122×1220	50×122×1220			
	4.23	Fork carriage DIN 15 173 --- ISO 2328, class/type A,B		B	B	B	B	B	B	B	B	B	B	B			
	4.24	Fork-carriage width	b3 (mm)	1150	1150	1150	1150	1150	1150	1150	1150	1150	1150	1150			
	4.25	Distance between fork-arms	bs (mm)	290-1150	290-1150	290-1150	290-1150	290-1150	290-1150	290-1150	290-1150	290-1150	290-1150	290-1150			
	4.31	Ground clearance, laden, below mast	m1 (mm)	240	270	270	240	270	270	240	270	270	240	270			
	4.32	Ground clearance, centre of wheelbase	m2 (mm)	260	290	290	260	290	290	260	290	290	260	290			
	4.34	Aisle width	Ast (mm)	5305	5320	5320	5305	5320	5320	5305	5320	5320	5305	5320			
	4.35	Turning radius	Wa (mm)	3300	3300	3300	3300	3300	3300	3300	3300	3300	3300	3300			
Performance data	5.1	Travel speed, laden/unladen	km/h	24/26	24/26	24/26	23/25	23/25	23/25	24/26	24/26	24/26	23/25	23/25			
	5.2	Lift speed, laden	m/s	0.62/0.64	0.49/0.51	0.43/0.51	0.62/0.64	0.49/0.51	0.43/0.51	0.62/0.64	0.47/0.51	0.45/0.51	0.62/0.64	0.49/0.51			
	5.3	Lowering speed, laden	m/s	0.5/0.44	0.5/0.45	0.5/0.45	0.5/0.44	0.5/0.45	0.5/0.45	0.5/0.44	0.5/0.45	0.5/0.45	0.5/0.44	0.5/0.45			
	5.5	Drawbar pull, laden	N	40000	45000	45000	40000	43000	43000	42000	47000	49000	40000	45000			
	5.7	Gradeability, laden	%	58	55	52	60	58	54	58	58	54	58	52			
	5.10	Service brake		Hydraulic			Hydraulic			Hydraulic			Hydraulic				
		Parking brake		Mechanical			Mechanical			Mechanical			Mechanical				
Combustion-engine	7.1	Engine manufacturer/type		YANMAR 4TNE98			YANMAR 4TNE98			YANMAR 4TNE98			CUMMINS QSF2.8t3NA49				
		Emission standard		StageIIIA / EPA Tier3			StageIIIA / EPA Tier3			StageIIIA / EPA Tier3			StageIIIA / EPA Tier4				
	7.2	Engine power according to DIN ISO 1585	kw/r/min	42.1/2300			42.1/2300			36.5/2500			47.3/2400				
	7.3	Rated speed	Nm/r/min	196/1700			196/1700			186/1500			221.7/1500				
	7.4	Number of cylinders/displacement	(-) / (cm³)	4/3319			4/3319			4/2800			4/2615				
7.10	Battery voltage/nominal capacity	V/Ah	12/90			12/90			12/90			12/90					
Addition data	10.3	Hydraulic Tank - capacity (drain & refill)	liter	60			60			60			60				
	10.4	Fuel tank capacity	liter	60			60			60			60				

## 2.5-3.5t Mast:(pneumatic)

Type	Model	Max.fork height	Overall height						Free lift				Front Overhang		Tilt range		Capacity max height							
			Lowered (mm)		Extended				Without backrest (mm)		With backrest (mm)		FWD	BWD	Load Center 500mm									
			mm	2.5t	3/3.5t	Without backrest (mm)		With backrest (mm)		2.5t	3/3.5t	2.5t			3/3.5t	ISO 22915-2 Counterbalanced trucks with mast				ISO 22915-13 Rough-terrain trucks with mast				
						2.5t	3/3.5t	2.5t	3/3.5t				2.5t	3t		3.5t	2.5t	3t	3.5t					
Wide view mast	RTE25/35M300	3000	2215	2350	3782	3993	4122	4142	140	145	140	145	585	600	10	12	2500	3000	3500	2500	3000	3500		
	RTE25/35M330	3300	2365	2500	4082	4293	4422	4442	140	145	140	145	585	600	10	12	2500	3000	3500	2500	3000	3400		
	RTE25/35M350	3500	2465	2600	4282	4493	4622	4642	140	145	140	145	585	600	10	12	2500	3000	3500	2500	2800	3200		
	RTE25/35M370	3700	2615	2700	4482	4693	4822	4842	140	145	140	145	585	600	10	12	2500	3000	3500	2500	2600	2800		
	RTE25/35M400	4000	2815	2950	4782	4993	5122	5142	140	145	140	145	585	600	10	12	2500	3000	3400	2100	2400	2500		
Wide view full free triplex mast	RTE25/35N400	4000	2115	2300	4860	5025	5122	5269	1255	1275	993	1031	603	618	10	12	2500	2900	3300	2000	2300	2400		
	RTE25/35N430	4300	2215	2400	5160	5325	5422	5569	1355	1375	1093	1131	603	618	10	12	2400	2700	3000	1900	2100	2200		
	RTE25/35N450	4500	2265	2450	5360	5525	5622	5769	1405	1425	1143	1181	603	618	10	12	2200	2500	2900	1700	1900	1900		
	RTE25/35N470	4700	2365	2550	5560	5725	5822	5969	1505	1525	1243	1281	603	618	10	12	2000	2300	2700	1400	1500	1500		
	RTE25/35N500	5000	2515	2700	5860	6025	6122	6269	1655	1675	1393	1431	603	618	6	6	1900	2100	2500	1100	1200	1200		
	RTE25/35N550	5500	2715	2900	6360	6525	6622	6769	1855	1875	1593	1631	603	618	6	6	1500	1900	2300	800	900	900		
RTE25/35N600	6000	2965	3150	6860	7025	7122	7269	2105	2125	1843	1881	603	618	6	6	1200	1600	1900	600	700	700			

Note: ISO 22915-2 for industrial use; ISO 22915-13 for rough terrain use.

